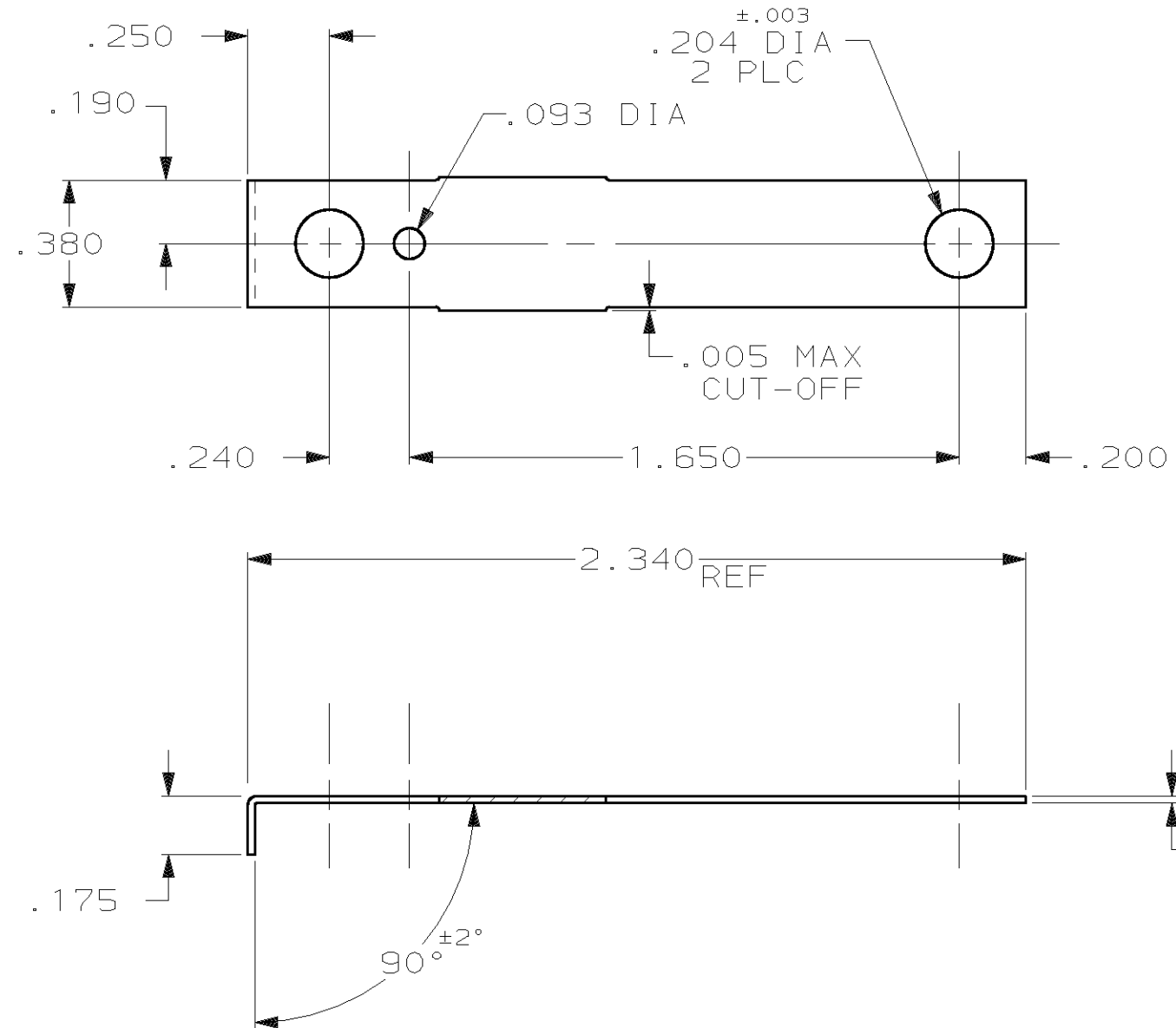


THIS DRAWING IS UNPUBLISHED. RELEASED FOR PUBLICATION
 © COPYRIGHT 19 BY AMP INCORPORATED, HARRISBURG, PA. ALL INTERNATIONAL RIGHTS RESERVED. AMP PRODUCTS MAY BE COVERED BY U.S. AND FOREIGN PATENTS AND/OR PATENTS PENDING.

LOC AF DIST 50 P F

REVISIONS				
ZONE	LTR	DESCRIPTION	DATE	APPROVED
	E	REVISED PER 0L10-0240-97	02/JUN/97	PF/JP



1 SUPPLIED IN LOOSE PIECE.

63450-1
PART NO

UNLESS OTHERWISE SPECIFIED DIMENSIONS ARE IN INCHES TOLERANCES ON: 2 PL DEC ± - 3 PL DEC ± .015 ANGLES ± -		DR JR RUTH 2/10/87	AMP INCORPORATED Harrisburg, Pa. 17105
MATERIAL COPPER ANNEALED		CHK G YETTER 2/11/87	
FINISH PRE-TIN		APPD R FRANTZ 2/11/87	NAME GROUNDING STRAP
		APPD TL SHUTTER 2/11/87	SIZE B
		PRODUCT SPEC -	FSCM NO 00779
		APPLICATION SPEC -	DRAWING NO 63450
		WEIGHT -	SCALE NTS
			SHEET 1 OF 1